

DV-TOUCH Touch Screen Keyboard on bus RS485

DVTOUCH is a full screen touch screen keyboard (touch sensitive) used for the control of CE100-3BUS or CE-LAN control panels. The keyboard is connected to the control unit via a 4-wire cable that includes power and RS485 bus communication.

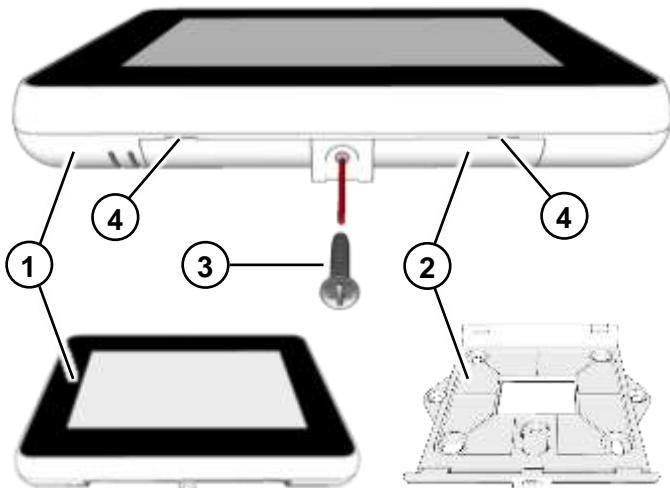
The keyboard screen turns on as soon as it is touched. If it is not touched for 60 seconds (programmable time) the screen turns off automatically.

The icons on the screen can change according to the control panel to which the keyboard is connected (always refer to the control panel manual).

The keyboard has a buzzer that emits acoustic signals ("beep"); it is possible to enable/disable the acoustic signals and change the tone of the "beeps".

The keyboard consists of two parts: a main body (1) and a base (2), used for fixing to the wall.

1. Identification of the parts



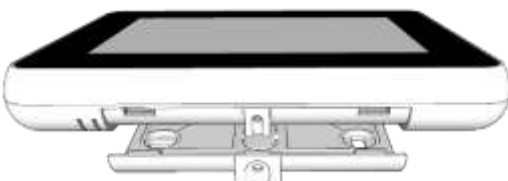
- 1 – Main body
- 2 – Mounting base
- 3 – Locking screw
- 4 – Release slots

2. Installation

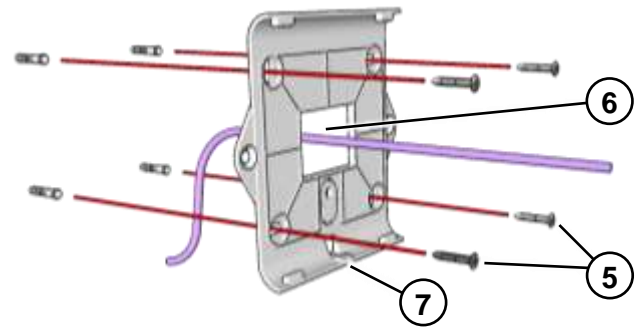
Do not use the device outdoors.

The keyboard must be installed on a flat surface using the supplied mounting base. The main body (1) is hooked onto the wall mounting base (2). Proceed as follows:

1. Unscrew the locking screw on the lower side (3)
2. Release the base levering on the slots on the lower side (4)

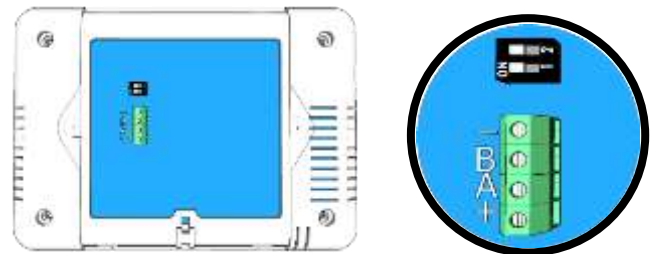


3. Fix the base to the wall with fischer screws (5), passing the connection cable through the central part (6). The base must be oriented with the locking screw down (7).

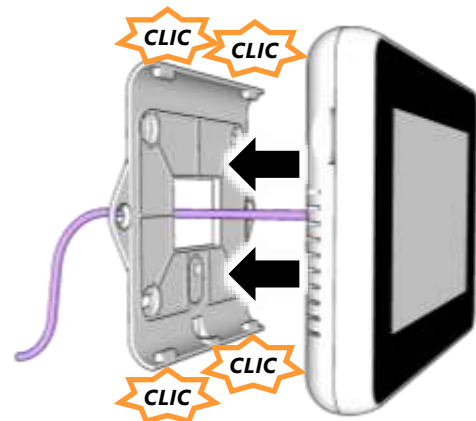


- 5 – Wall fixing screws
- 6 – Cable routing
- 7 – Base orientation (locking screw)

4. Connect the four wires of the RS485 bus to the keyboard terminal block (see the control panel manual)



5. Reassemble the keyboard body on the base fixed to the wall. Gently press until you hear the anchor clicks of the 4 hooks.



WARNING: Arrange the connection cable in an orderly manner, avoiding it being pinched during closing

6. Tighten the locking screw on the lower side (3)

WARNING: Do not over tighten the screw - Use only the screw supplied

3. Dip-switch

DIP		ON	OFF
1	120 Ohm bus termination	Termination enabled	Termination disabled
2	NOT USED		

4. Connections

+	Positive power supply
-	Negative power supply
A	Pole "A" RS485 signal
B	Pole "B" RS485 signal

See control panel manual for connection details.

5. Keyboard programming

1. Connect the keyboard to the control panel and connect power supply (consult the control panel manual)
2. Press the KEYBOARD SETUP icon for 3 seconds:



TASTIERA

3. The first item of the keyboard programming menu appears on the display (DEFAULT IS ITALIAN).



Use the buttons ▼ and ▲ to move between options
Press "✓" to enter the displayed option

To edit a value:

- Use the numeric keys or the keys ◀ and ▶
- Confirm changes with "✓"
- Cancel changes with "✕".

Options	Function	Default
Language	Keyboard language selection Values: Italiano, English, Francais, Espanol, Deutsch	Italiano
Address	Keyboard address Values: 1 ÷ 8	1
Acoustic signal	Enable buzzer beeps Values: ON / OFF	ON
Signal tones	Select tone buzzer sounds Values: 0 (severe) ÷ 9 (acute)	3
Siren ringtone	Enable buzzer bell for panel alarm Values: YES / NO ! WARNING ! ENABLE only to perform a system test. DISABLE in normal operation.	NO
Time LCD light	Set screen on time Values: 0 ÷ 99 seconds	60 sec
Tamper	enable / disable the anti-opening tamper Values: YES / NO	SI
Tipo centrale	Select panel model Values: CE-1003, CE-LAN	CE-LAN
Erase all programm	Delete the programming and returns to the factory setting	
End programm	Exit programming	

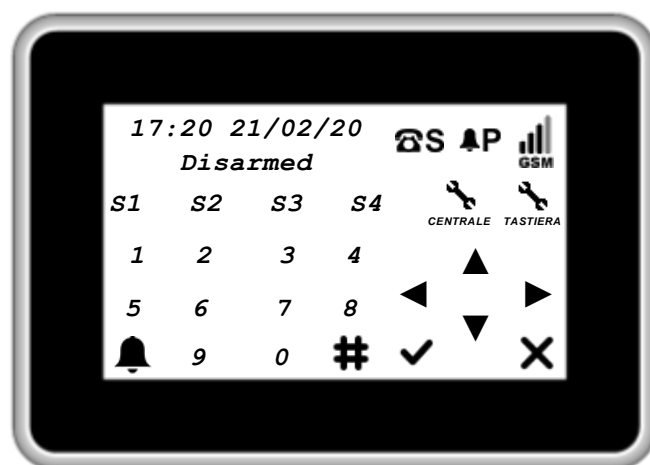
4. To exit programming, select "End Programming" and press "✓".

NOTE: The keypad automatically exits programming if no key is pressed for 30 seconds.

6. Keyboard display

At rest the screen is off. It lights up as soon as it is touched or a new event occurs in the control panel. The screen shows the status of the control panel and allows its control (always refer to the control panel manual).

NOTICE: The icons may change according to the control panel to which the keyboard is connected (always refer to the control unit manual).



S1 ÷ S4	Arming and status keys
1 ÷ 9	Numeric keys Change values or enter user and installer codes
	Alert
	Hashtag Panel Disarm / Sound
	Direction keys Move selection or change values
	OK Confirm and change values
	Clear Exit, delete or cancel
	GSM Status
	Panic Alarm (long press for 3 seconds)
	Silent alarm (long press for 3 seconds)
	Keyboard programming (long press for 3 seconds)
	Installer / User Menu (only CE100-3 panel) (long press for 3 seconds)

7. Technical data

Power supply	10 ÷ 14 V $\overline{\text{---}}$ (typical 12 V $\overline{\text{---}}$)
Consumption	Stand-by 80 mA – Max 150 mA
Temperature	0 ÷ 40 °C

CE EU DECLARATION OF CONFORMITY

Hereby, DUEVI declares that the equipment type "Wired Touch Screen Keypad" mod. DV-TOUCH is in compliance with Directive EMC 2014/30/EU. The full text of the EU Declaration of Conformity is available at the internet address www.duevi.eu