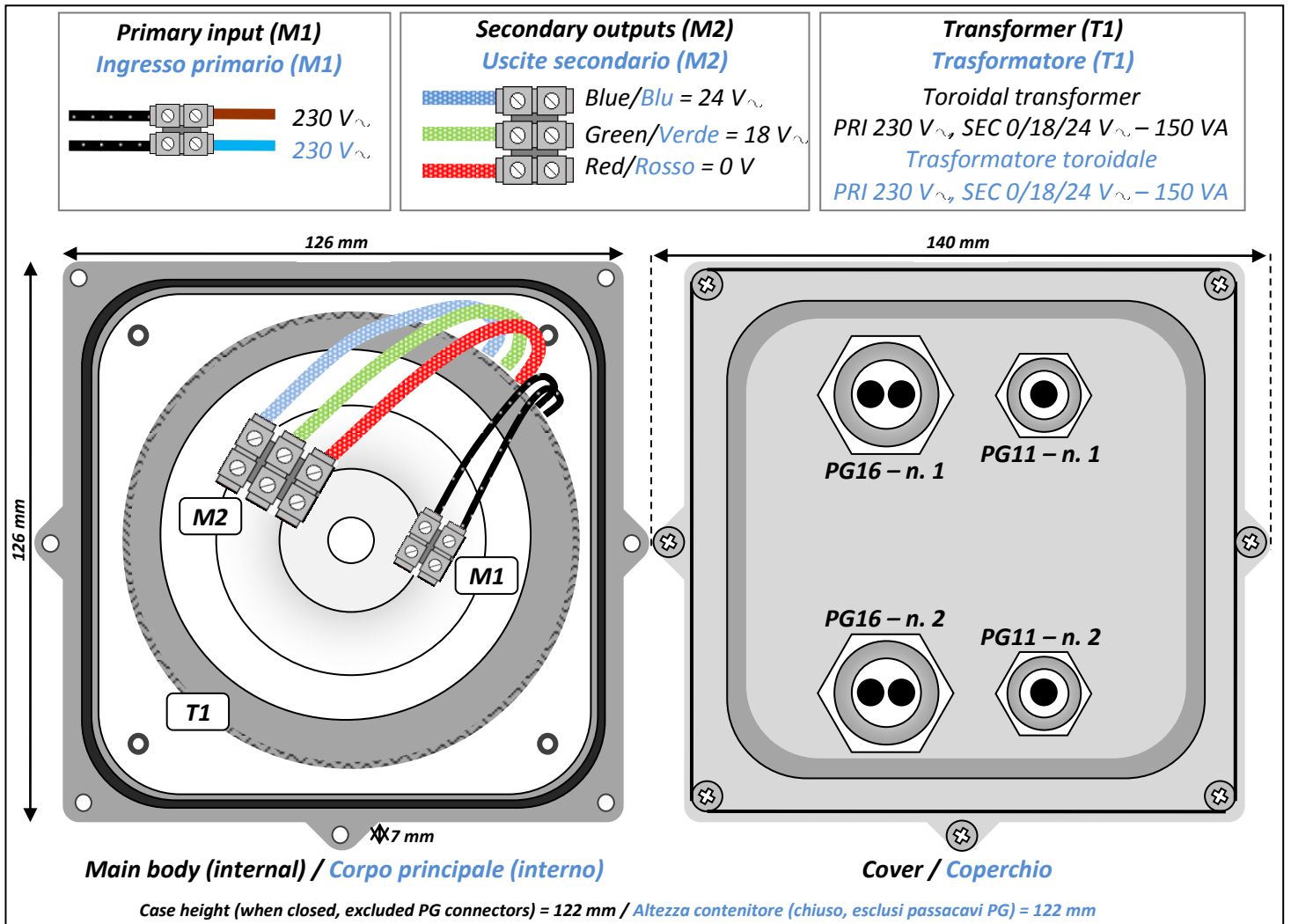


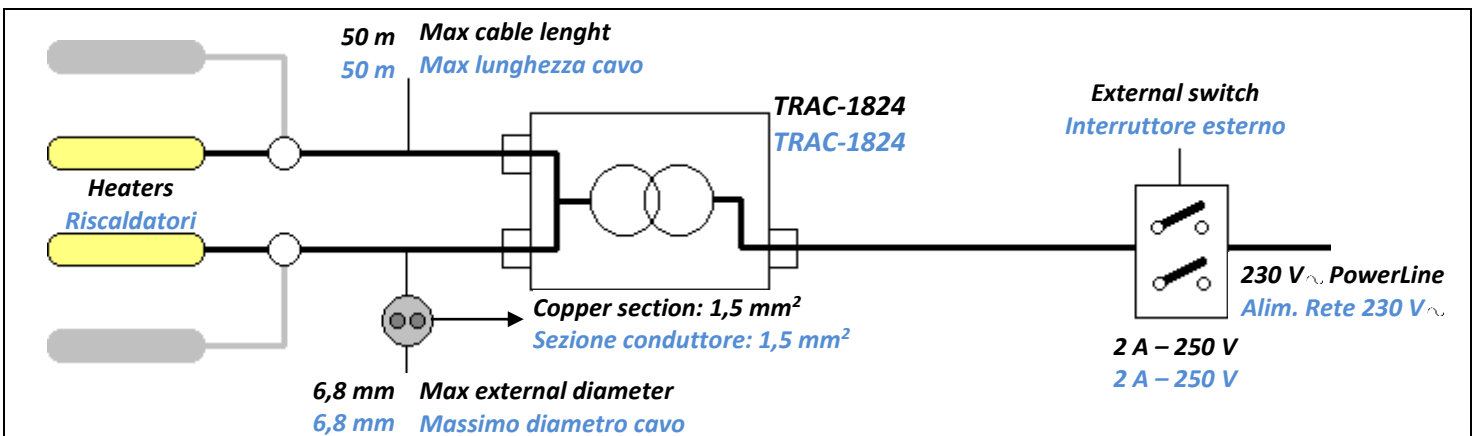
TRAC-1824

AC POWER SUPPLY FOR PHOTON HEATER BARRIER ALIMENTATORE AC PER BARRIERE PHOTON RISCALDATE

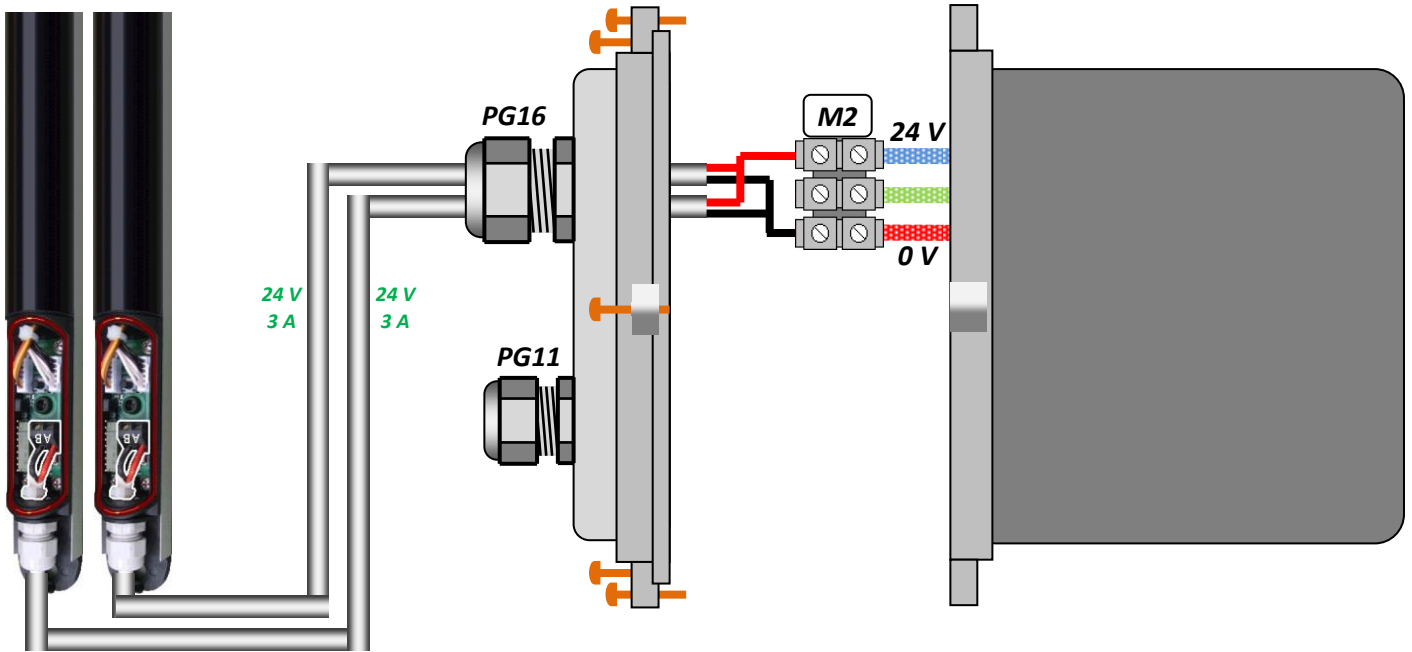


| Barrier model <i>Modello barriera</i> | Heater supply <i>Alimentazione riscaldatore</i> | | Power [W]* <i>Potenza [W]*</i> | Max devices connected <i>Max numero dispositivi collegati</i> |
|--|--|------------------------------------|-----------------------------------|--|
| | Voltage [V] <i>Tensione [V]</i> | Current [A] <i>Corrente [A]</i> | | |
| EB-XX-200-R | 24 | 3 | 72 | 2 |
| EB-XX-150-R | 18 | 3 | 54 | 2 |
| EB-XX-100-R | 12 | 3 | 36 | 4 |

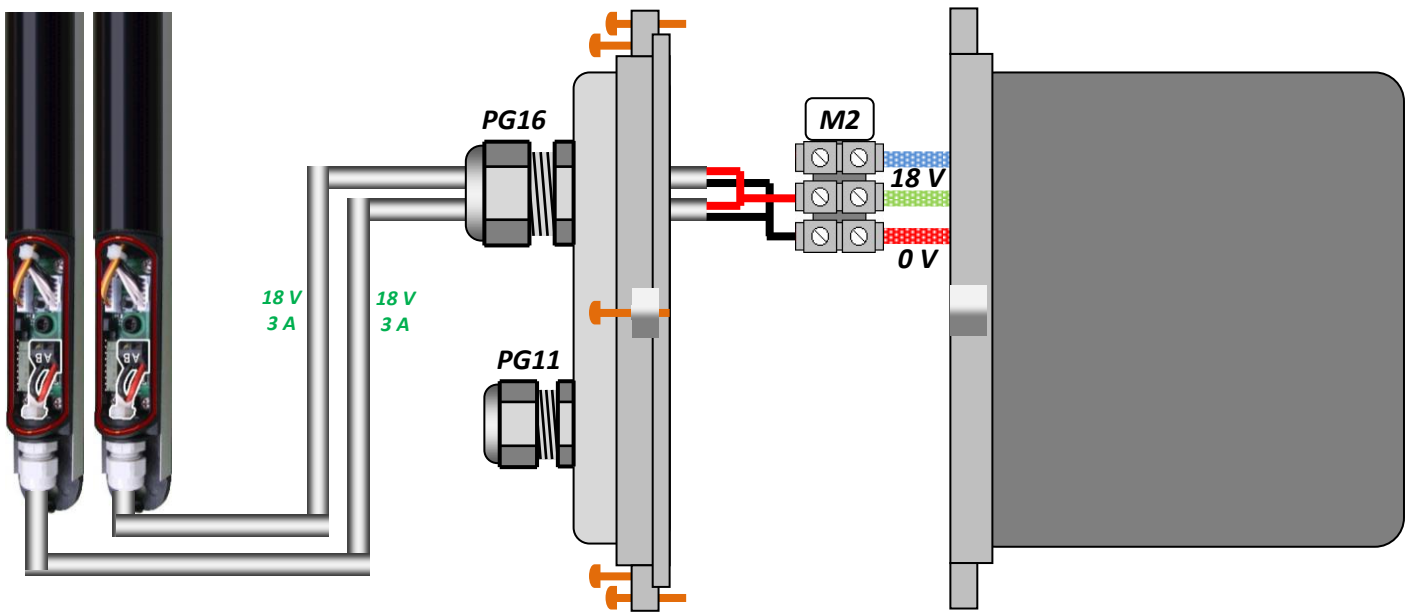
* Power consumption for one bar / * Assorbimento relativo ad una barra



EB-XX-200-R



EB-XX-150-R



EB-XX-100-R

